



OPERATOR MANUAL
SCREWS FOR STEEL SHEET OVERLAPS
MO TYPE WITHOUT WASHER
No. OM_M0

Installation carried out in an appropriate way, using professional tools is extremely important for proper and safe use of building fasteners. Always follow all instructions listed in this operator manual.

General rules:

- The operator manual, apply only to original products of Baltic Fasteners Sp. z o.o. bearing the Manufacturer's logo, which allows for their identification;
- The use of screws shall be confirmed by a fixing plan made on the basis of complete building data;
- When carrying out the fixing plan, observe the mounting parameters and take into account the loads of the connections given in valid approval or technical evaluation issued for the product;
- When carrying out the fixing plan, comply with applicable laws and standards;
- The steel sheet or roofing sandwich panel Manufacturer's recommendations must be taken into account;
- The number and type of screws must be in line with the information given in the fixing plan;
- Only tools that are equipped with clutch adjustment should be use;
- Modification of **MO** is not permitted. Cutting of screws that extend beyond the steel sheet is forbidden due to the risk of losing their load capacity;
- Products may only be used for their intended purpose.

Product selection rules:

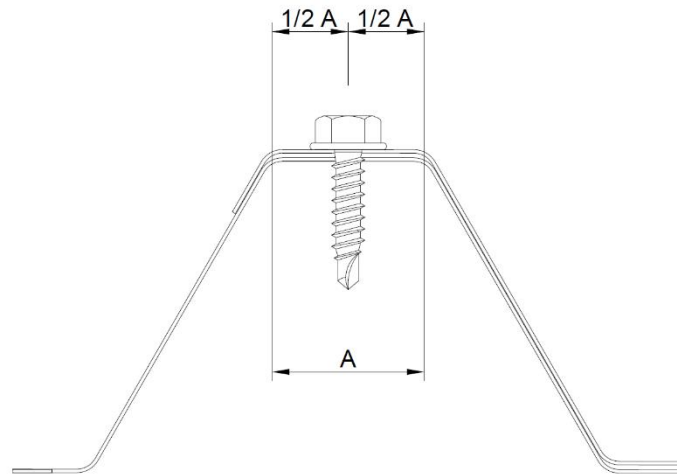
- **MO** screws are designed for linear joining together steel sheets, where the tightness of joints is not required;
- **MO** screws are covered by class **A1** reaction to fire and can be used in this class;
- The corrosion protection of the screws should be suitably selected for the corrosive environment in which they will be used. **MO** screws are protected against corrosion by **12µm** zinc coating, which allows them to be used in corrosive environments **C2**;
- The length of the screws should be appropriately selected depending on the thickness of joined steel sheets and insulation tapes if used;
- Screws can be used for steel sheets of grade not worse than **S280GD**;
- Screws can be used for joining steel sheets with a minimum thickness of **0,50mm**;
- Maximum steel drilling capacity for screws **2x1,00mm**. Maximum tool speed **2200rpm**;
- To verify if **MO** screws are suitable for your application, the thickness of all fixed elements (sheets and tapes) should be summed. Then check in the Baltic Fasteners product catalog, if

screws are suitable to fix that thickness. The sum of the thicknesses of all the elements must be within the range $h_{\min} - h_{\max}$ given in the catalog.

Product catalog is available on the website www.balticfasteners.com;

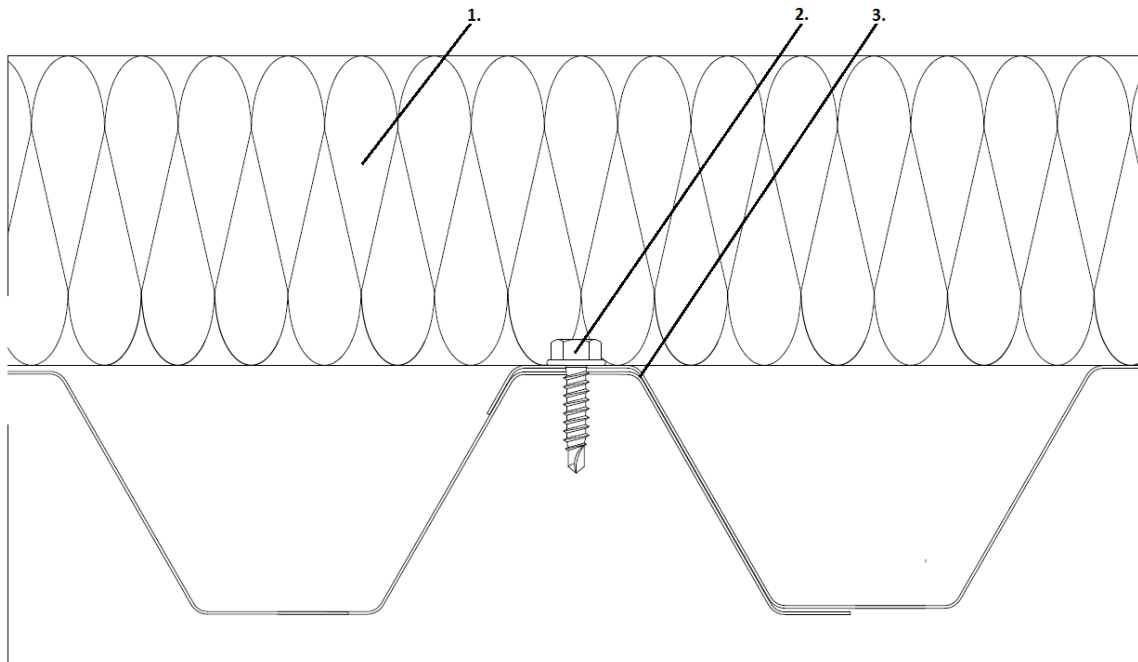
Installation process:

- Steel sheets can be joined longitudinally when mounted to the substrate;
- Steel sheets should be joined with the selected screws in accordance with the fixing plan. The distance between the screws should be **max. 250mm**;
- a) Screws must always be mounted perpendicular to the steel sheet.
- b) Recommended tightening torque **4Nm**.
- c) It is recommended to mount in the center of the shelf, above the capillary groove on the bottom sheet, if any.



- d) With properly selected screws, at least the whole drilling point and two full diameter threads must be protruded outside of the bottom steel sheet.
- e) Fixing parameters specified for the screw **M0** need to be retained.
- f) Use dedicated nut-setters for a given screw line. For fixing screws coated with paint use spring nut-setters.
- In case of damage to the corrosion or paint coating on the screws, the defects must be further secured;

Picture 1 illustrate joining of steel sheets with use of **M0** screws.



1. Insulation
2. Screw for joining steel sheets
3. Steel sheet overlap

Picture 1. Joining of steel sheets using M0 screws without washer.

Basic dimensions of screws M0 without washer type:

